

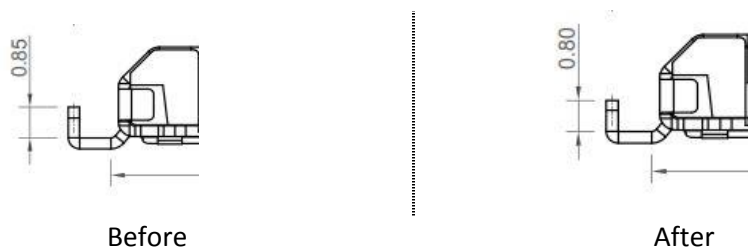
PRODUCT CHANGE NOTICE

Notification Date: 18th May 2015	PCN # USB3155 B PCN 20150518
---	--

Drawing Revision Letter: B

Product Identification:
USB3155-30-A
Effective from date code/batch code:
18th May 2015

Description of Changes
Dimension change on the shell stake from 0.85 to 0.80mm:



Before After

Reason for Change
Drawing Correction

Anticipated impact on form, fit, function, or reliability
None.

Required Inventory Action
None.

Contact Information
If there are any questions, comments or suggestions regarding this notice please contact GCT.

To contact GCT click here: www.gct.co